

DOLPHIN **firelite**

Unique flat top lantern cap, in baked enamel can be used to keep food warm or even boil a small pan of water.

A powerful white light lamp attaches in a few seconds: Less than 90 seconds start up time — Brilliant white light from incandescent mantle — burns 16 hours on 1 LITRE of Kerosene (household paraffin).

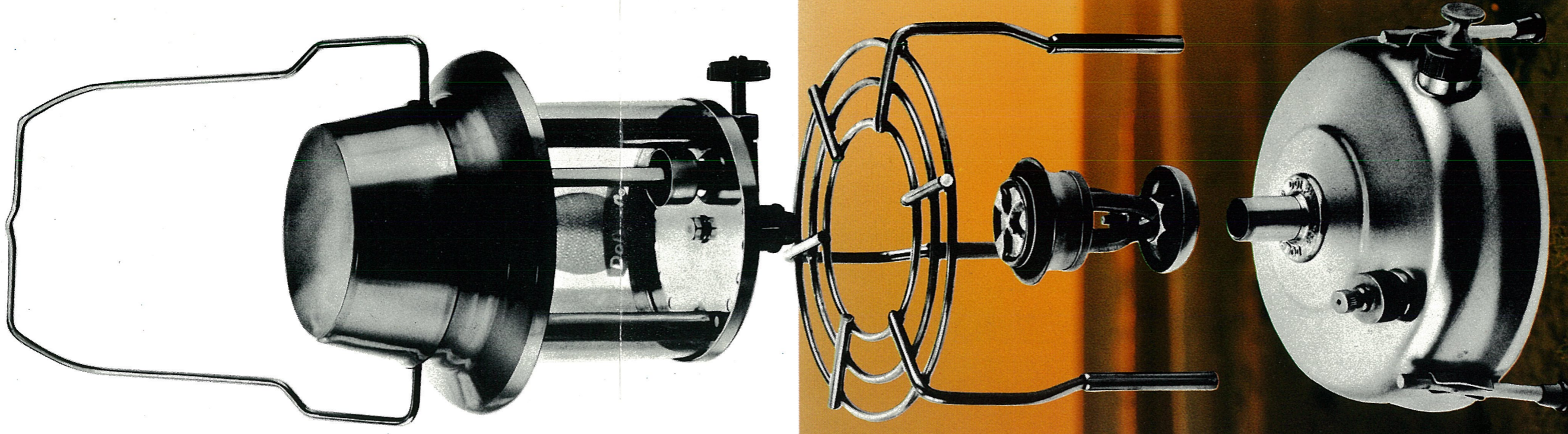
Attach the Kerosene burner, clip on the cooker grid and you have a high output stove — Boils 350 ml water from cold in 90 seconds. Burns 6 hours on one tankful kerosene (0,9 litre) — or a fantastic total of 80 litres of water boiled on one tankful.

Fully guaranteed against defective workmanship for 1 year. (Fill in Guarantee Form on Purchase.)

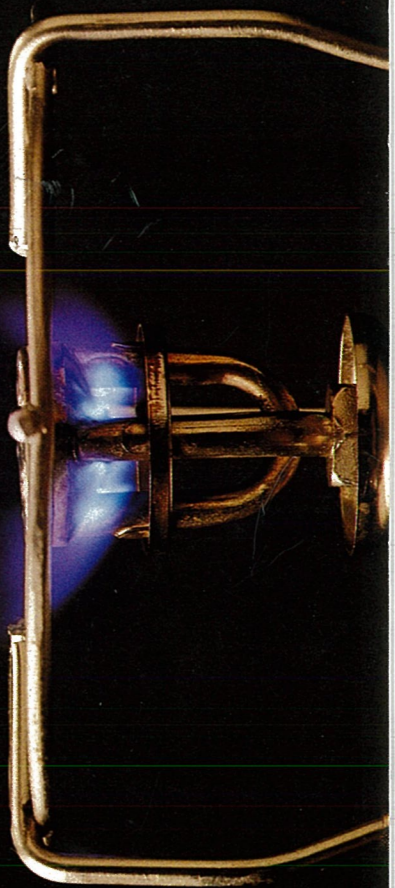
Complete in one sturdy carrier-carton — lamp and spanner — Burner and Top for quick conversion to stove.

2 units in a household gives you 2 lamps or 2 stoves or 1 lamp *and* 1 stove.

When not in use — store in carton, filled for use — will last indefinitely.



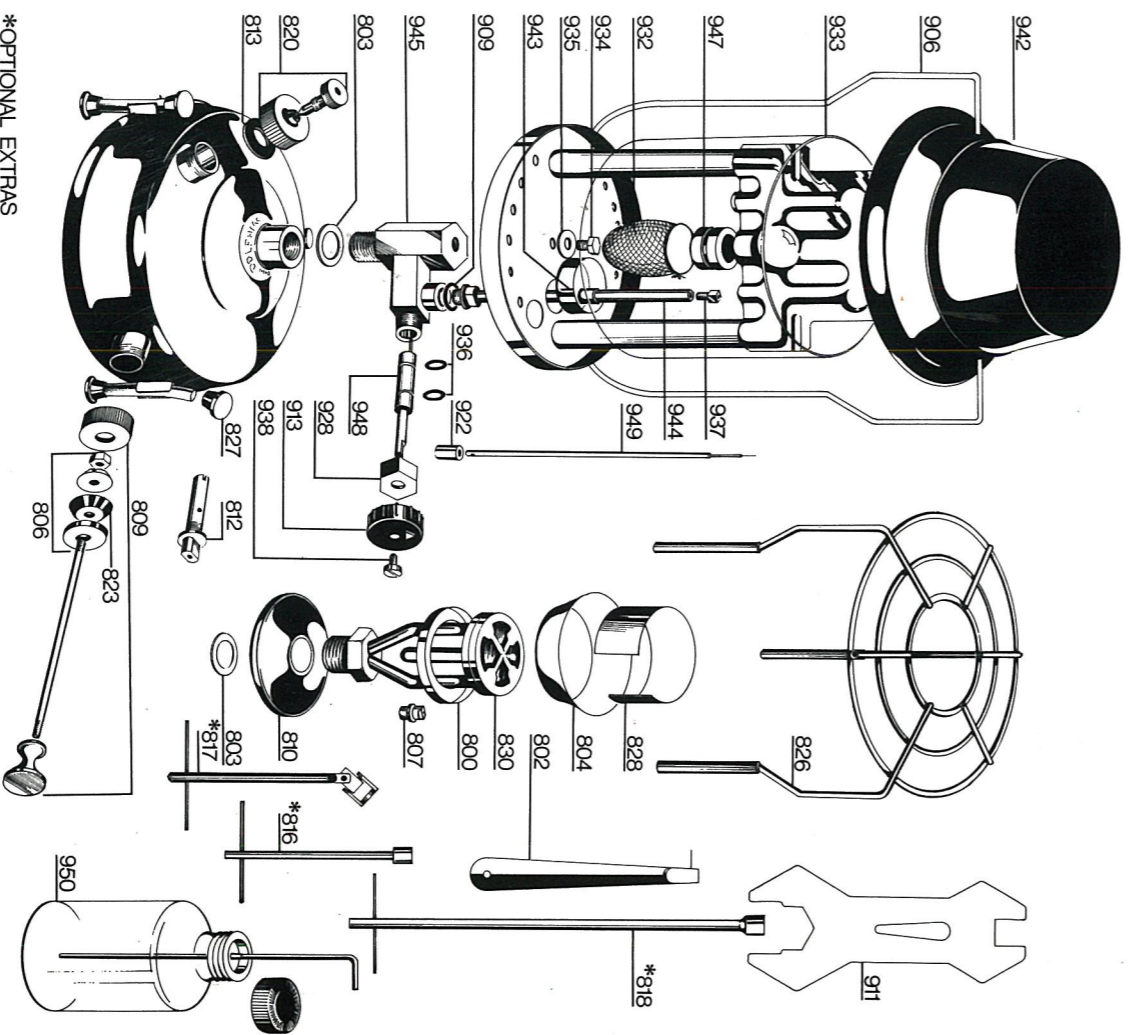
Also fantastic for the great outdoors — Camping — Barbecues — Yachting — Does away with heavy cylinders and gas refill problems — 5 TIMES more economical than gas — Compares with electricity.



Boils water in only 90 seconds

DOLPHIN firelite

Gives a brilliant white light for 16 hours on one
litre of paraffin



*OPTIONAL EXTRAS

guarantee

The DOLPHIN FIRELITE is fully guaranteed against faulty
workmanship for 12 months.
Components or complete units will be replaced by the
Manufacturers at their discretion.

